

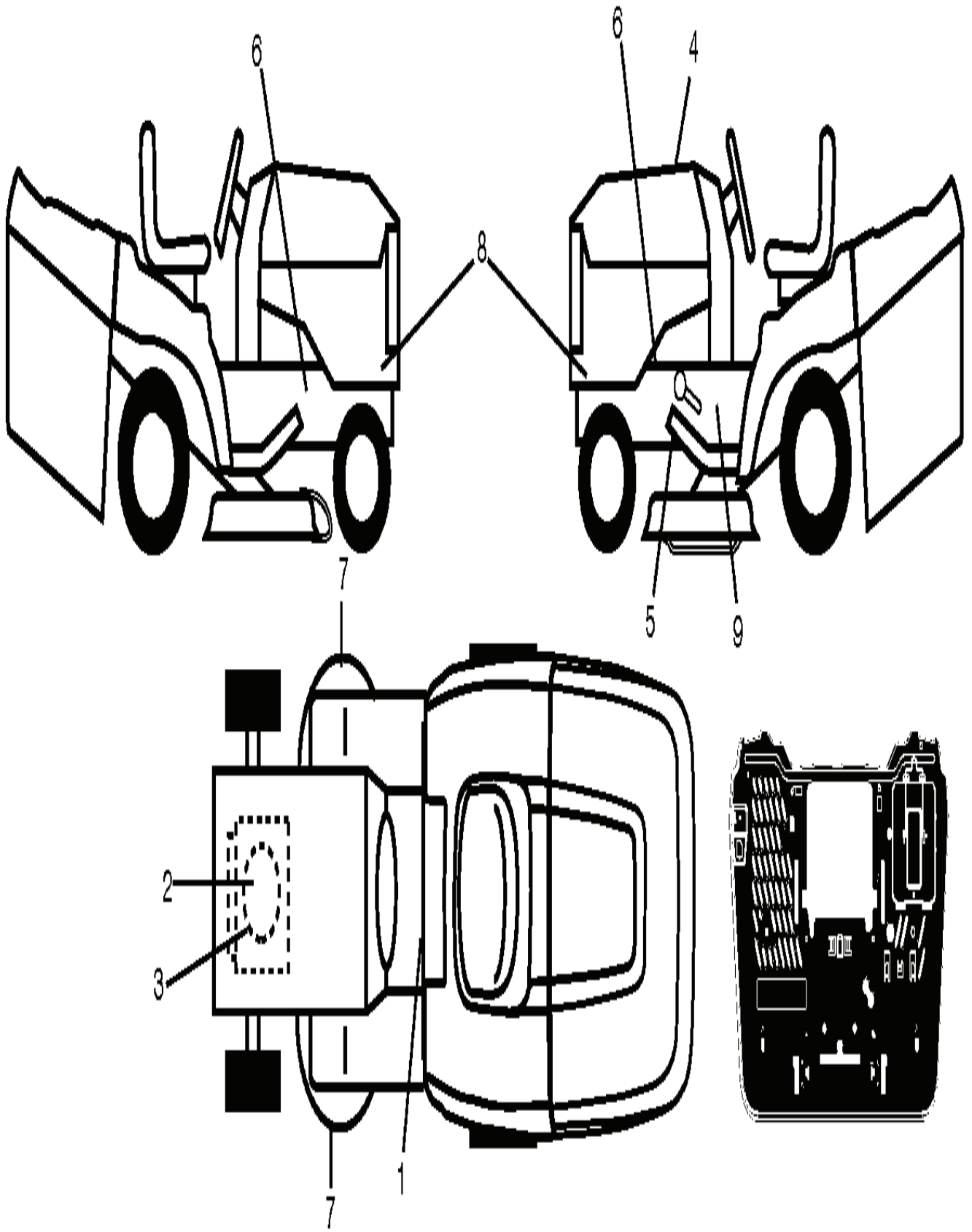
**SPARE PARTS CATALOGUE**  
**TRACTORS/RIDE MOWERS: HUSQVARNA TC 238T**

Spare Parts List

# **SPARE PARTS LIST**

TRACTORS/RIDE MOWERS

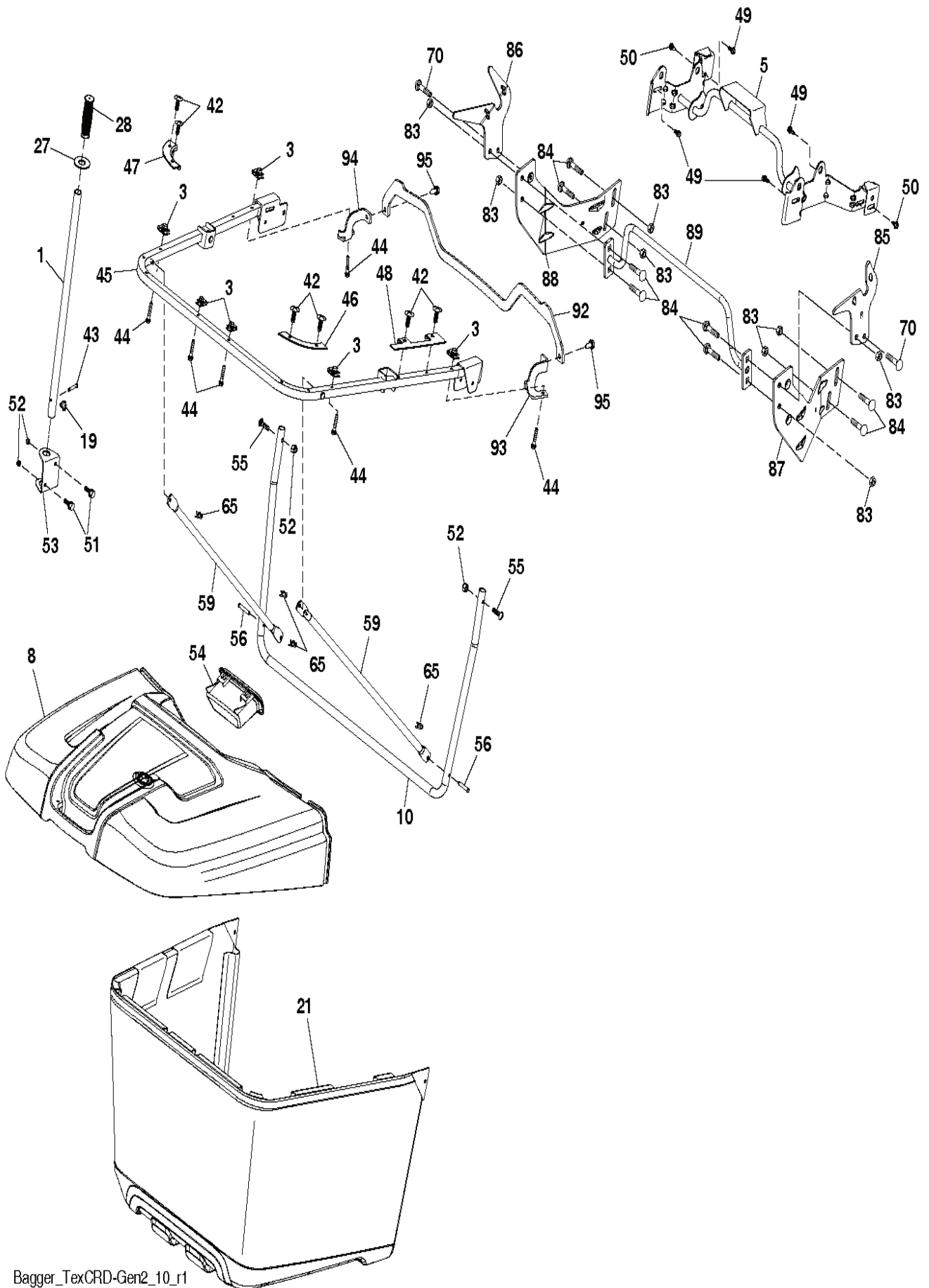
HUSQVARNA TC 238T



## TRACTORS/RIDE MOWERS

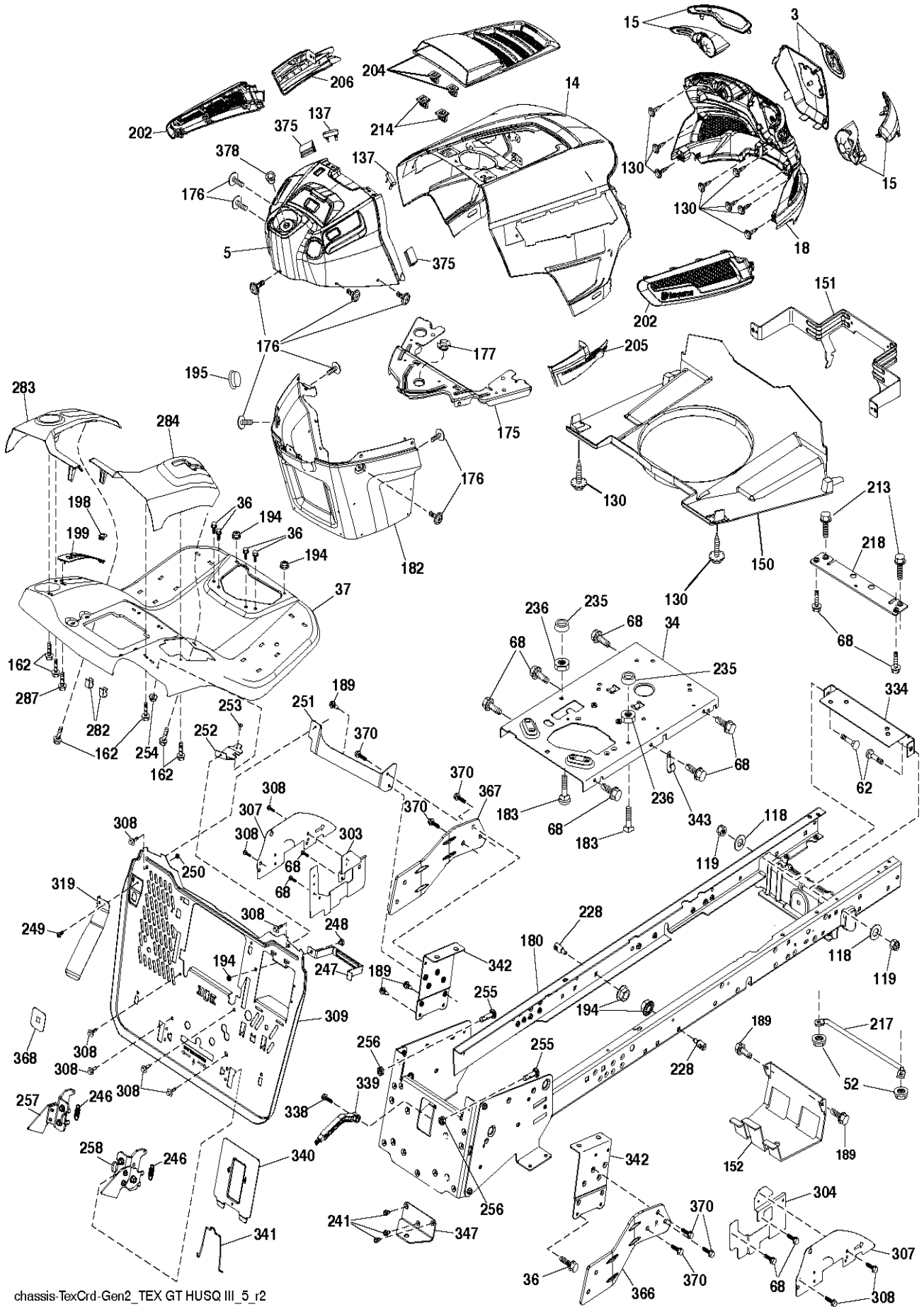
---

PXM_REF	PXM_PARTNO	DESCRIPTION	PXM_REMARK	QTY.
1	586350601	DECAL		1
2	581579701	DECAL		1
3	587385301	DECAL		1
4	596396101	DECAL		1
5	592980201	DECAL		1
6	581579601	DECAL		1
7	581579101	DECAL		1
8	598491901	DECAL		1
9	581579801	DECAL		1
--	532445493	DECAL		1
--	532444619	DECAL		1
--	532441409	PAD		1
--	532441410	PAD		1



TRACTORS/RIDE MOWERS

PXM_REF	PXM_PARTNO	DESCRIPTION	PXM_REMARK	QTY.
1	532428610	TUBE		1
3	532174814	NUT		1
5	532443762	FRAME		1
8	587588601	COVER		1
10	532443755	FRAME		1
19	532194208	PIN		1
21	581337103	BAG		1
27	532445529	GROMMET		1
28	532165787	HANDLE		1
42	532440428	CLIP		1
43	532126875	RIVET		1
44	532199687	SCREW		1
45	532443754	FRAME		1
46	532445541	CONNECTOR		1
47	532444079	CONNECTOR		1
48	532444080	BAFFLE		1
49	532171873	BOLT		1
50	532171877	BOLT		1
51	872110506	BOLT		1
52	596583702	NUT		1
53	532444195	BRACKET		1
54	532447218	HANDLE		1
55	596030801	BOLT		1
56	532420306	CLEVIS PIN		1
59	532444763	TUBE		1
65	532004497	CLIP		1
70	817000612	SCREW		1
83	873800600	NUT		1
84	596728201	BOLT		1
85	581314402	BRACKET		1
86	581314302	BRACKET		1
87	581314802	BRACKET		1
88	581314702	BRACKET		1
89	581315104	TUBE ASSY		1
92	586052302	BRACKET		1
93	586052402	BRACKET		1
94	586052502	BRACKET		1
95	817000512	SCREW		1



TRACTORS/RIDE MOWERS

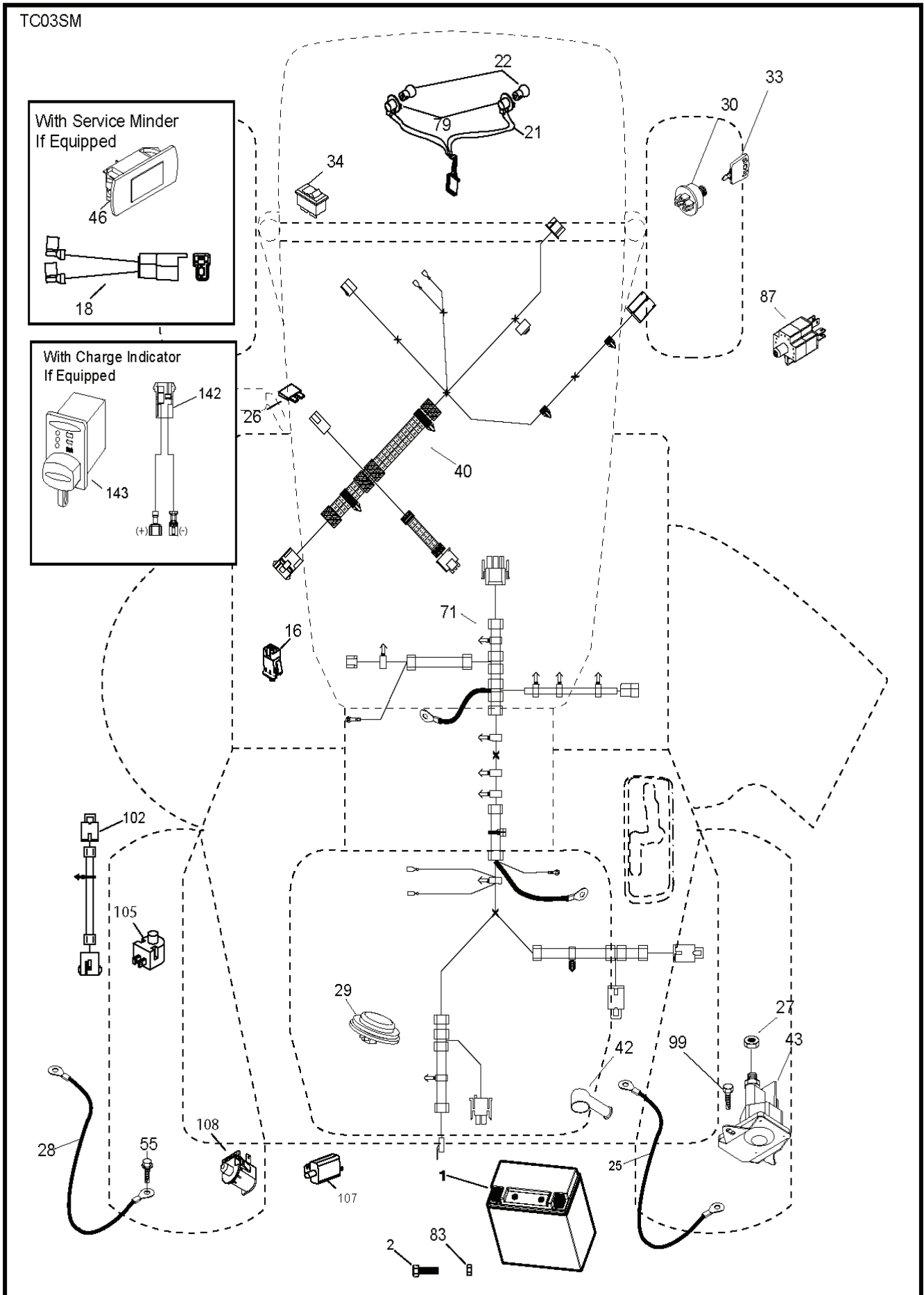
PXM_REF	PXM_PARTNO	DESCRIPTION	PXM_REMARK	QTY.
3	597688201	COVER		1
5	590748823	DASHBOARD		1
14	532441177	HOOD		1
15	597867801	SERVICE KIT	LH	1
18	597407101	GRILLE		1
34	593944402	PLATE		1
36	817060512	SCREW		1
37	532441369	FENDER		1
52	596040501	LOCK NUT		1
62	596728201	BOLT		1
68	596030701	SCREW		1
118	596565301	WASHER		1
119	596322601	NUT		1
130	596321701	SCREW		1
137	532407590	DAMPING PIECE		1
150	532439774	AIR DUCT		1
151	532436670	BRACKET		1
152	532199535	SHIELD		1
162	596134101	SCREW		1
175	590607702	CROSS MEMBER		1
176	532400776	SCREW		1
177	532195228	BUSHING		1
180	593898801	CHASSIS		1
182	586738602	DASH		1
183	595305701	SCREW		1
189	817000512	SCREW		1
194	596135701	LOCK NUT		1
195	532404137	TROU*RPL.PAR 532401556428		1
198	532441552	INDICATOR		1
199	532418739	PLATE		1
202	597867701	SERVICE KIT	RH	1
204	597408001	VENT		1
205	532439730	SKIRT	RH	1
206	532439729	SKIRT	LH	1
213	596030501	SCREW		1
214	532199145	CLIP		1
217	532409167	ROD		1
218	532196395	PLATE		1
228	593824001	STUD		1
235	596564201	SPACER		1
236	873930500	NUT		1
241	593337601	SCREW		1
246	591449001	SPRING		1
247	582552602	STRAP		1
248	872110504	BOLT		1
249	586936001	SCREW		1
250	596040801	LOCK NUT		1
251	589318904	BRACKET		1
252	581992204	BRACKET		1
253	596238401	BOLT		1
254	873900400	NUT		1
255	589392203	BOLT		1
256	596219001	NUT		1
257	589746602	LATCH ASSY		1
258	589746702	LATCH ASSY		1
282	532414110	CLIP		1
283	532447212	CONSOLE		1
284	532447220	CONSOLE		1
287	817600406	SCREW		1
303	589007602	GUARD		1
304	589006802	GUARD		1
307	587494501	SHIELD		1
308	532171877	BOLT		1
309	582552502	BACKPLATE		1
319	581313907	LEVER		1
334	532442537	BRACKET		1
338	594093901	BOLT		1
339	532436641	LEVER		1
340	582552702	DOOR		1
341	582060801	LATCH		1
342	582826802	BRACKET		1
343	532440749	CLIP		1
347	532442887	HITCH		1
366	599361602	BRACKET		1
367	599361902	BRACKET		1
368	581424801	SHROUD		1
370	817120616	SCREW		1
375	586908201	BUMPER		1



TRACTORS/RIDE MOWERS

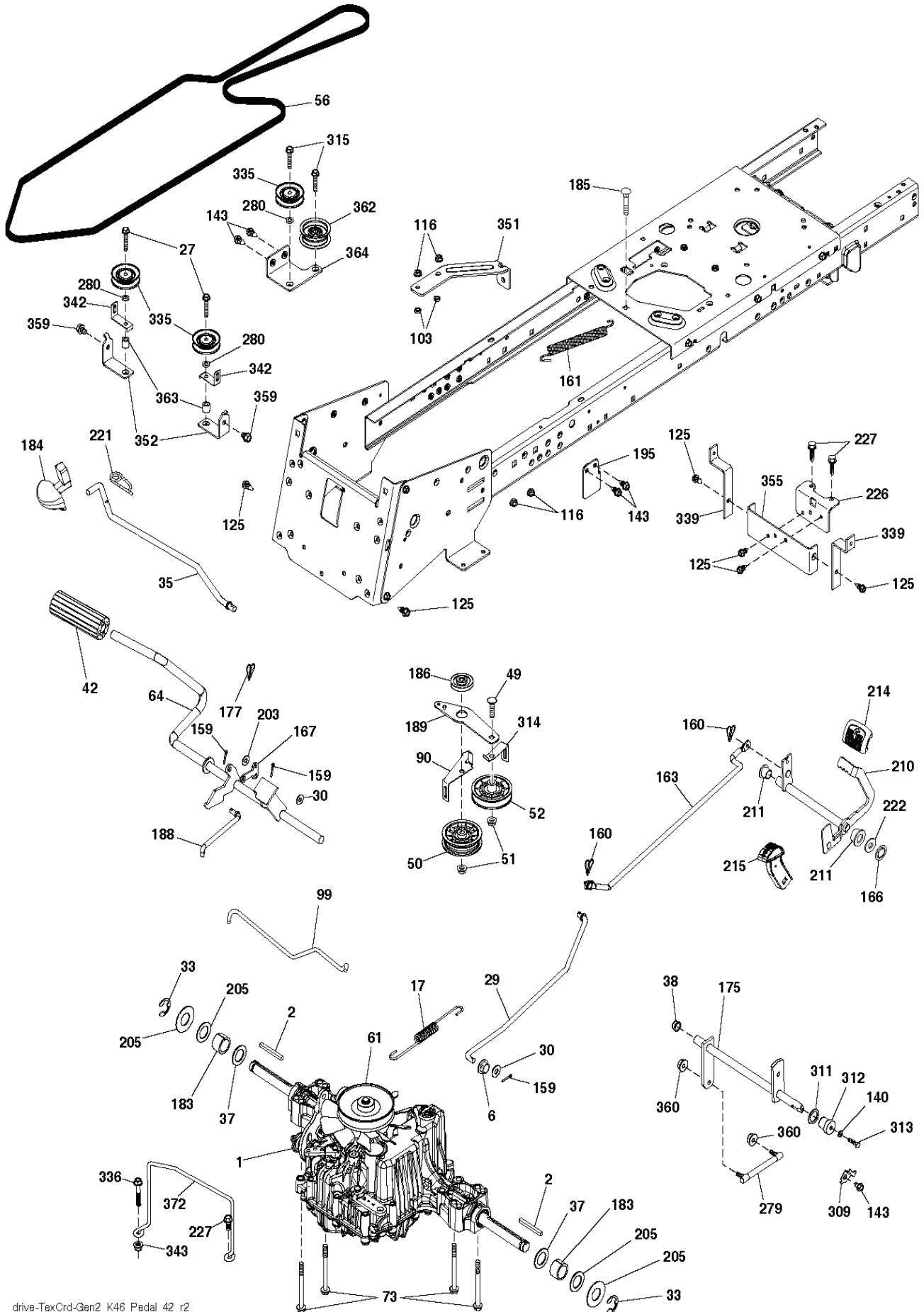
---

PXM_REF	PXM_PARTNO	DESCRIPTION	PXM_REMARK	QTY.
378	590849801	BUSHING		1



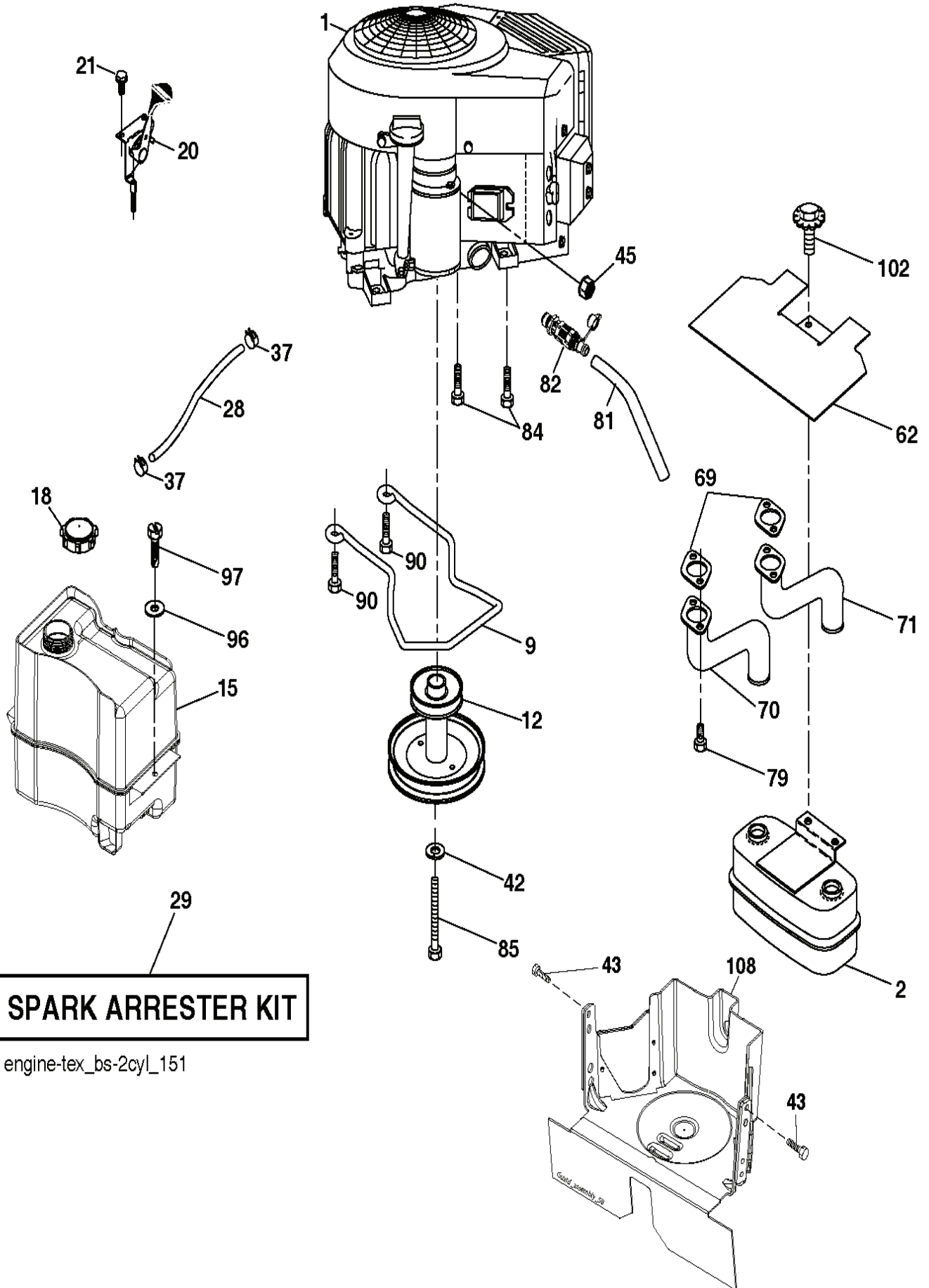
TRACTORS/RIDE MOWERS

PXM_REF	PXM_PARTNO	DESCRIPTION	PXM_REMARK	QTY.
1	532437157	BATTERY		1
2	596320101	BOLT		1
16	532176138	MICRO SWITCH		1
21	532400252	HARNESS		1
22	532004152	BULB		1
25	589323701	GROUND CABLE		1
26	532175158	FUSE		1
27	596133601	LOCK NUT		1
28	589323601	GROUND CABLE		1
29	532401545	SWITCH		1
30	532193350	IGNITION MODULE		1
33	532411935	KEY		1
34	532110712	SWITCH		1
40	585849901	HARNESS		1
42	532131563	COVER		1
43	582042802	SOLENOID		1
46	594919101	HOUR METER		1
55	817060512	SCREW		1
71	587268701	HARNESS		1
79	532175242	HOLDER		1
83	594086501	NUT		1
87	532421060	SWITCH		1
99	817000512	SCREW		1
102	532441262	HARNESS ASSY		1
105	532407568	SWITCH		1
107	532180379	SWITCH FBI		1
108	589500301	SWITCH		1



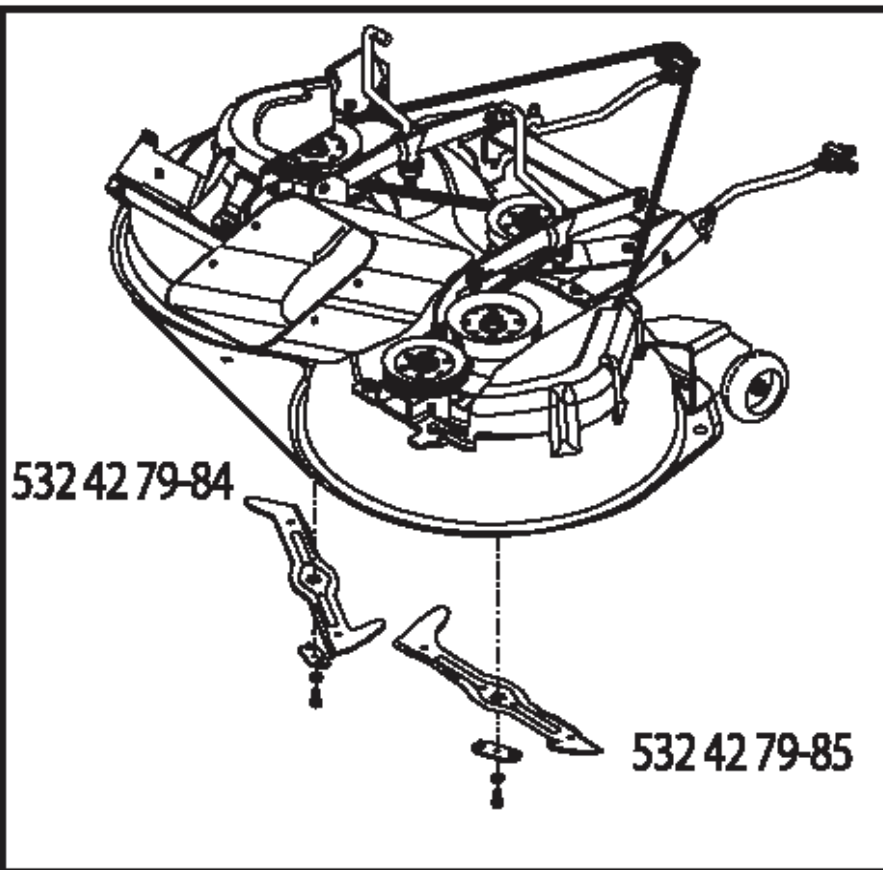
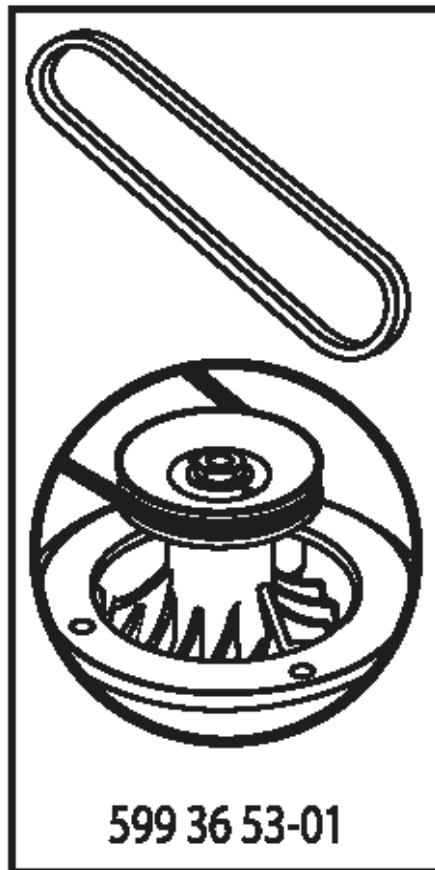
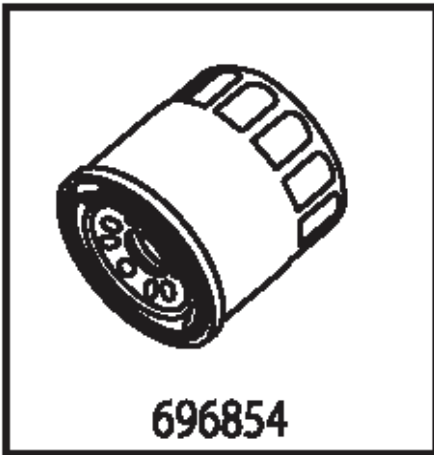
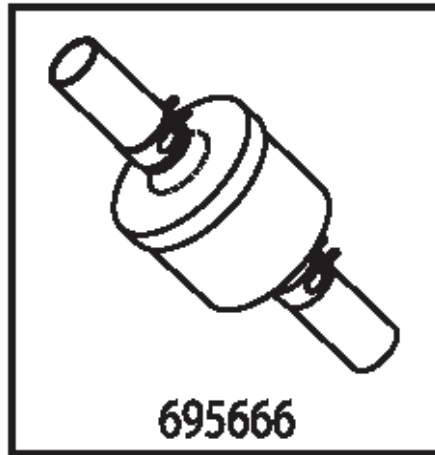
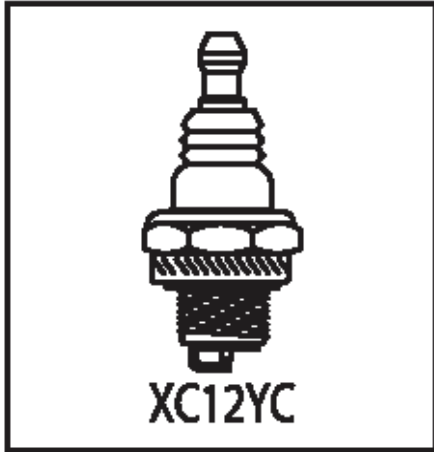
TRACTORS/RIDE MOWERS

PXM_REF	PXM_PARTNO	DESCRIPTION	PXM_REMARK	QTY.
1	000000000	W/O DESCRIPTION	Transaxle Tufftorq K46DF (532446488)	1
2	532123583	KEY		1
6	532124028	BUSHING		1
17	532436227	SPRING		1
27	596241001	SCREW		1
29	532442795	ROD		1
30	596140201	WASHER		1
33	812000001	RETAINER RING		1
35	583864502	ROD		1
37	532188967	WASHER		1
38	532169613	SLEEVE		1
42	532008883	PEDAL RUBBER		1
49	596136201	BOLT		1
50	532194327	PULLEY		1
51	873900600	NUT		1
52	532194326	PULLEY		1
56	591065301	BELT		1
61	532445151	PULLEY		1
64	532197865	SHAFT		1
73	595316601	BOLT		1
90	532443605	KEEPER		1
99	532443947	ROD		1
103	596436301	NUT		1
116	596135701	LOCK NUT		1
125	817000512	SCREW		1
140	596029801	WASHER		1
143	596030701	SCREW		1
159	596029501	PIN		1
160	596029401	RETAINER		1
161	532105709	SPRING		1
163	594084102	ROD		1
166	532429164	NUT		1
167	532405257	LATCH		1
175	532429359	SHAFT		1
177	587225301	PIN		1
183	532137057	SPACER		1
184	587653701	HANDLE		1
185	872110622	BOLT		1
186	532194321	SPACER		1
188	582217001	LINK		1
189	532433611	BELLCRANK		1
195	580456901	BRACKET		1
203	596204101	WASHER		1
205	532121748	WASHER		1
210	532400980	PEDAL ARM		1
211	532120183	BEARING		1
214	532421263	PAD		1
215	586606502	PEDAL		1
221	532403187	RETAINER SPRING		1
222	879212010	WASHER		1
226	532401564	BRACKET		1
227	596135901	BOLT		1
279	593898401	LINK		1
280	596039901	WASHER		1
309	532165581	RETAINER		1
311	532169845	WASHER		1
312	532165614	HUB		1
313	596040701	BOLT		1
314	532444713	RETAINER		1
315	817580520	BOLT		1
335	532199534	PULLEY		1
336	587259602	BOLT		1
339	532436867	STRAP		1
342	532182682	BELT GUIDE		1
343	594944401	NUT		1
351	532436998	BRACKET		1
352	532435645	BRACKET		1
355	532435669	STRAP		1
359	596564002	BOLT		1
360	532444714	NUT		1
362	532436812	IDLER		1
363	532442780	SPACER		1
364	532443032	BRACKET		1
372	582654901	KEEPER		1



TRACTORS/RIDE MOWERS

PXM_REF	PXM_PARTNO	DESCRIPTION	PXM_REMARK	QTY.
1	000000000	W/O DESCRIPTION	Engine B&S Model No. 40N777-0009-B5 (597818301)	1
2	589818701	MUFFLER		1
9	501832602	KEEPER		1
12	586478501	PULLEY		1
15	581290101	TANK		1
18	532430220	HUB CAP		1
20	587242501	THROTTLE		1
21	596321701	SCREW		1
28	532137040	HOSE		1
29	532137180	SPARK ARRESTER KIT		1
37	532123487	HOSE CLAMP		1
42	596238901	WASHER		1
43	593337601	SCREW		1
45	596133601	LOCK NUT		1
62	532434017	SHIELD		1
69	532165391	GASKET		1
70	581881101	TUBE		1
71	581881001	TUBE		1
79	596134202	SCREW		1
81	532148456	TUBE		1
82	532428287	PLUG		1
84	817060620	SCREW		1
85	501606501	BOLT		1
90	817000616	SCREW		1
96	596135301	WASHER		1
97	817670412	SCREW		1
102	817000512	SCREW		1
108	587179510	COVER		1



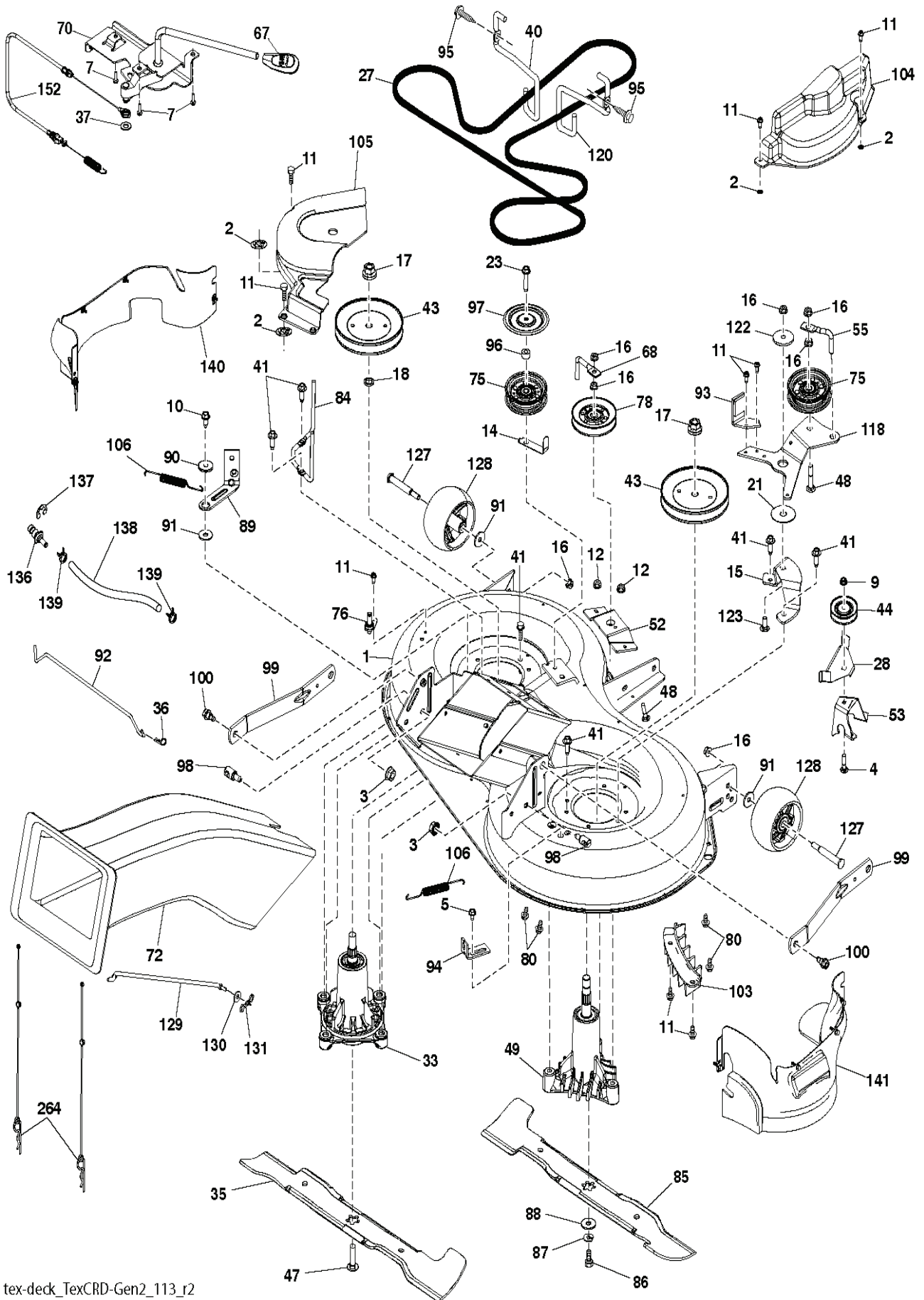
**596396101**



TRACTORS/RIDE MOWERS

---

PXM_REF	PXM_PARTNO	DESCRIPTION	PXM_REMARK	QTY.
591344	TBD	TBD	FILTER	1
695666	695666	BENZINFILTER		1
XC12YC	531029975	SPARK PLUG		1
696854	696854	Oil Filter: Husqvarna part # 585730401		1
532427984	532427984	RIDE ON BLADE		1
532427985	532427985	BLADE		1
599365301	599365301	BELT		1
591065301	591065301	BELT		1



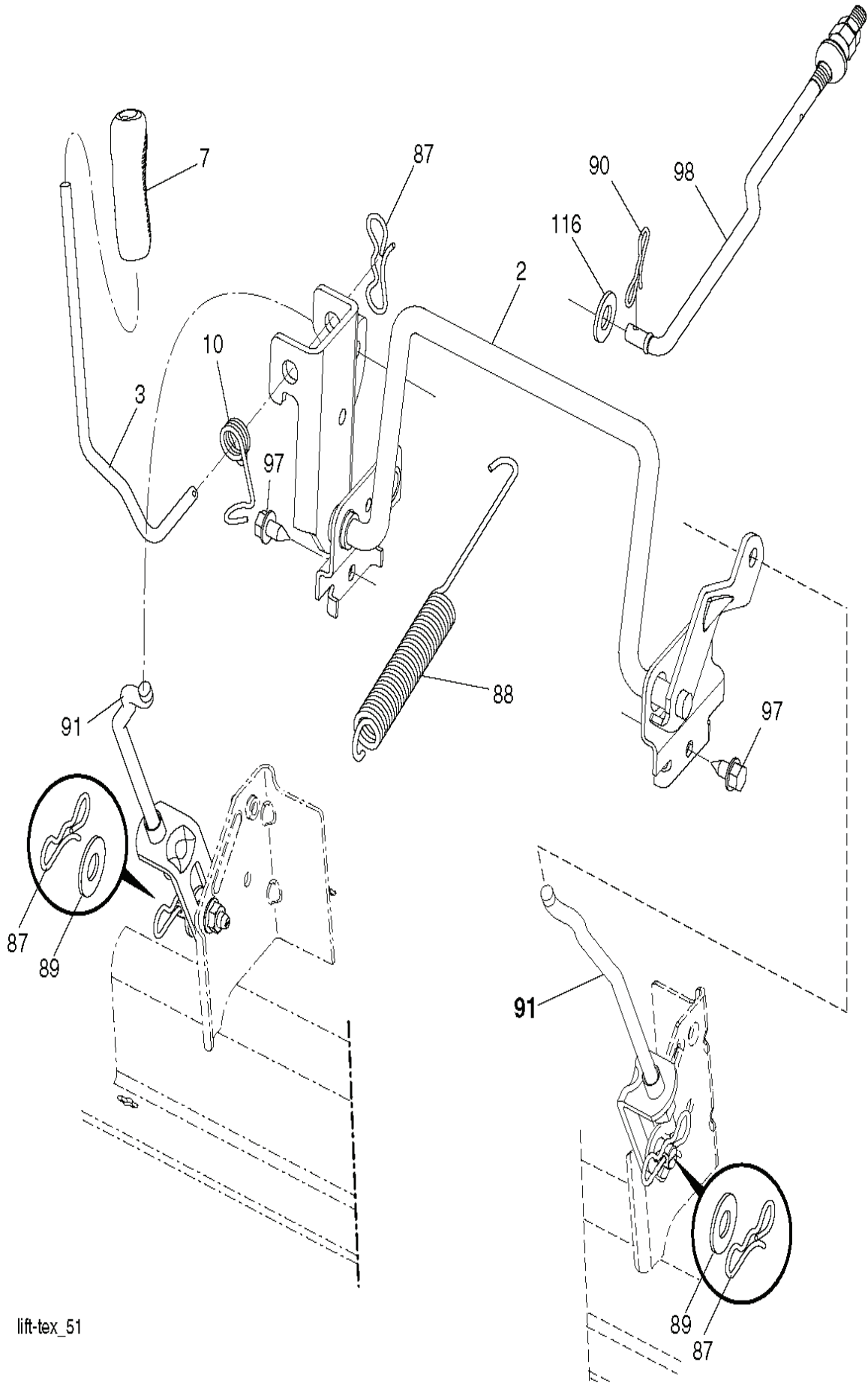
TRACTORS/RIDE MOWERS

PXM_REF	PXM_PARTNO	DESCRIPTION	PXM_REMARK	QTY.
--	596551301	CUTTING DECK		1
1	592970001	SERVICE KIT		1
2	532423062	NUT		1
3	596135701	LOCK NUT	RH	1
4	872110510	BOLT		1
5	817000510	BOLT		1
7	596321701	SCREW		1
9	585691301	NUT		1
10	817000616	SCREW		1
11	532137729	SCREW		1
12	594944401	NUT		1
14	532156085	BELT GUIDE		1
15	592854702	BRACKET		1
16	873900600	NUT		1
17	596134801	HEXAGON NUT		1
18	532187690	WASHER		1
21	532178515	WASHER		1
23	596564003	BOLT		1
27	599365301	BELT		1
28	592855602	KEEPER		1
33	587819701	MANDREL		1
35	532427984	RIDE ON BLADE		1
36	532004497	CLIP		1
37	596565301	WASHER		1
40	532197258	BELT GUIDE		1
41	584953901	BOLT		1
43	532197473	PULLEY		1
44	532199534	PULLEY		1
47	584309301	SCREW		1
48	596136301	BOLT		1
49	532165579	SPINDLE		1
52	599210703	BRACKET		1
53	595098103	BRACKET		1
55	598969201	KEEPER		1
67	532403012	HANDLE		1
68	598903802	KEEPER		1
70	532199972	CLUTCH ASSY		1
72	581454103	CHUTE		1
75	597025001	PULLEY		1
76	532439640	PORT		1
78	532173902	PULLEY		1
80	595901601	BOLT		1
84	589676102	KEEPER		1
85	532427985	BLADE		1
86	532181713	BOLT		1
87	596238701	WASHER		1
88	532140296	WASHER		1
89	532438124	ARM		1
90	532199092	SPACER		1
91	596134901	WASHER		1
92	592855701	LINK		1
93	592854902	BRAKE		1
94	532197250	BRACKET		1
95	817000612	SCREW		1
96	532400271	SPACER		1
97	532182061	PROTECTOR		1
98	593824001	STUD		1
99	532195186	ARM		1
100	532196539	BOLT		1
103	532436992	GUARD		1
104	592848101	GUARD		1
105	532438744	MANDREL		1
106	532193216	RESSORT RETOUR FREIN DE LAME		1
118	599236302	ARM		1
120	532197259	BELT GUIDE		1
122	532165723	SPACER		1
123	596987501	BOLT		1
127	596434404	BOLT		1
128	589527301	WHEEL		1
129	532443237	ROD		1
130	596133201	WASHER		1
131	532194208	PIN		1
136	532439639	PLUG		1
137	812000029	RETAINER RING		1
138	532440743	HOSE		1
139	596867401	CLAMP		1
140	501579401	GUARD		1
141	501579301	GUARD		1

TRACTORS/RIDE MOWERS

---

PXM_REF	PXM_PARTNO	DESCRIPTION	PXM_REMARK	QTY.
152	532440488	CABLE		1
264	589392902	RETAINER		1

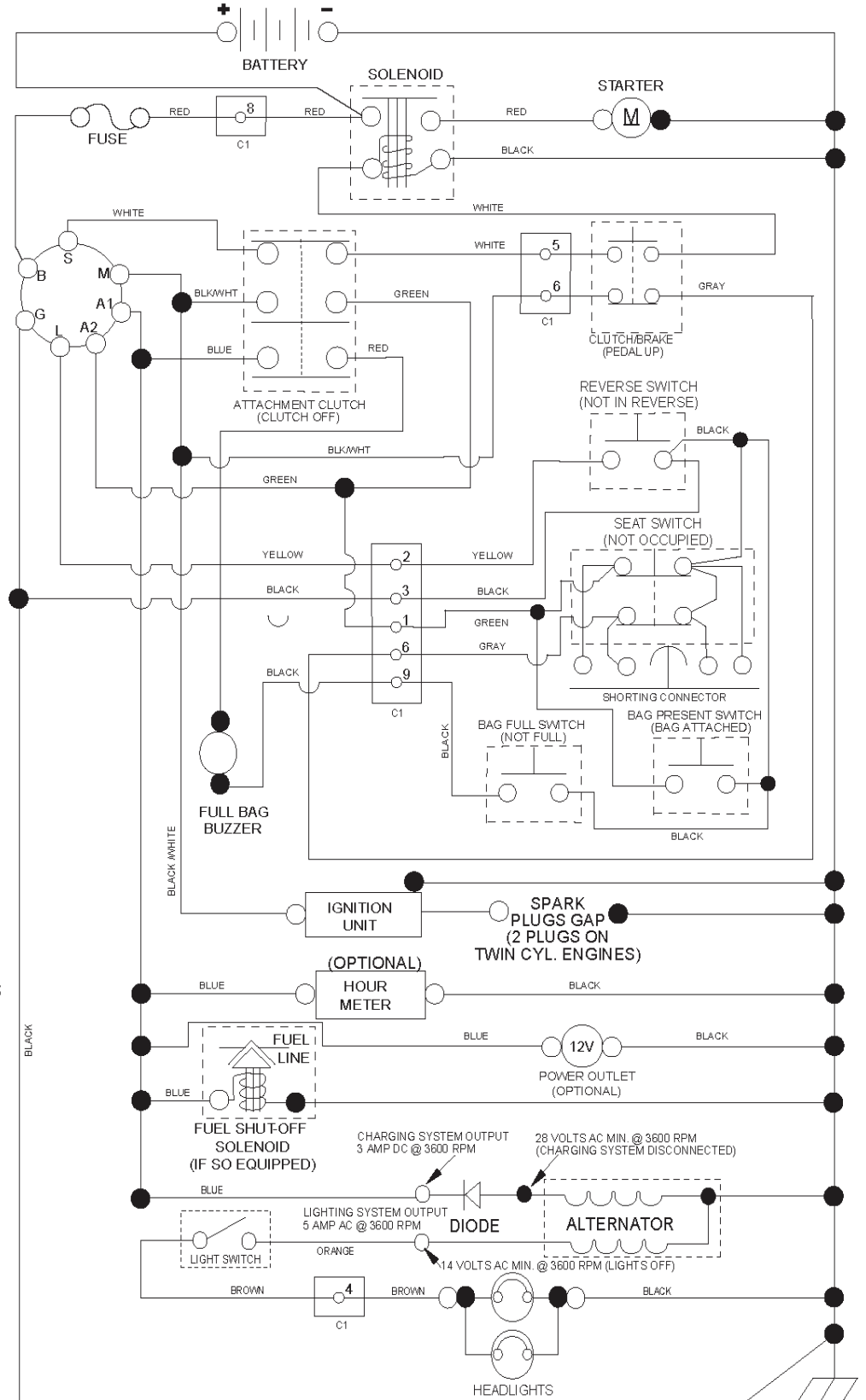


TRACTORS/RIDE MOWERS

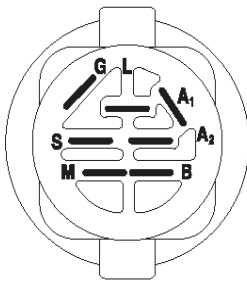
---

PXM_REF	PXM_PARTNO	DESCRIPTION	PXM_REMARK	QTY.
2	532436996	SHAFT	RH	1
3	594018001	LEVER	RH	1
7	580962301	GRIP		1
10	532196314	SPRING		1
87	532194209	SPRING		1
88	532445496	SPRING		1
89	819191912	WASHER		1
90	532194208	PIN		1
91	589464804	LINK ASSY		1
97	596564001	BOLT		1
98	581506906	LINK ASSY		1
116	594976501	WASHER		1

SCH17

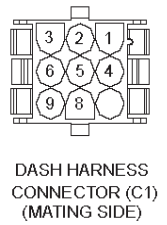


**NOTE**  
 YOUR TRACTOR IS EQUIPPED WITH A SPECIAL ALTERNATOR SYSTEM. THE LIGHTS ARE NOT CONNECTED TO THE BATTERY, BUT HAVE THEIR OWN ELECTRICAL SOURCE. BECAUSE OF THIS, THE BRIGHTNESS OF THE LIGHTS WILL CHANGE WITH ENGINE SPEED. AT IDLE THE LIGHTS WILL DIM. AS THE ENGINE SPEED IS INCREASED, THE LIGHTS WILL BECOME THEIR BRIGHTEST.

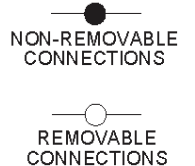


IGNITION SWITCH

POSITION	CIRCUIT "MAKE"
OFF	M+G+A1
RUN/OVERRIDE	B+A1
RUN	B+A1 L+A2
START	B+S+A1

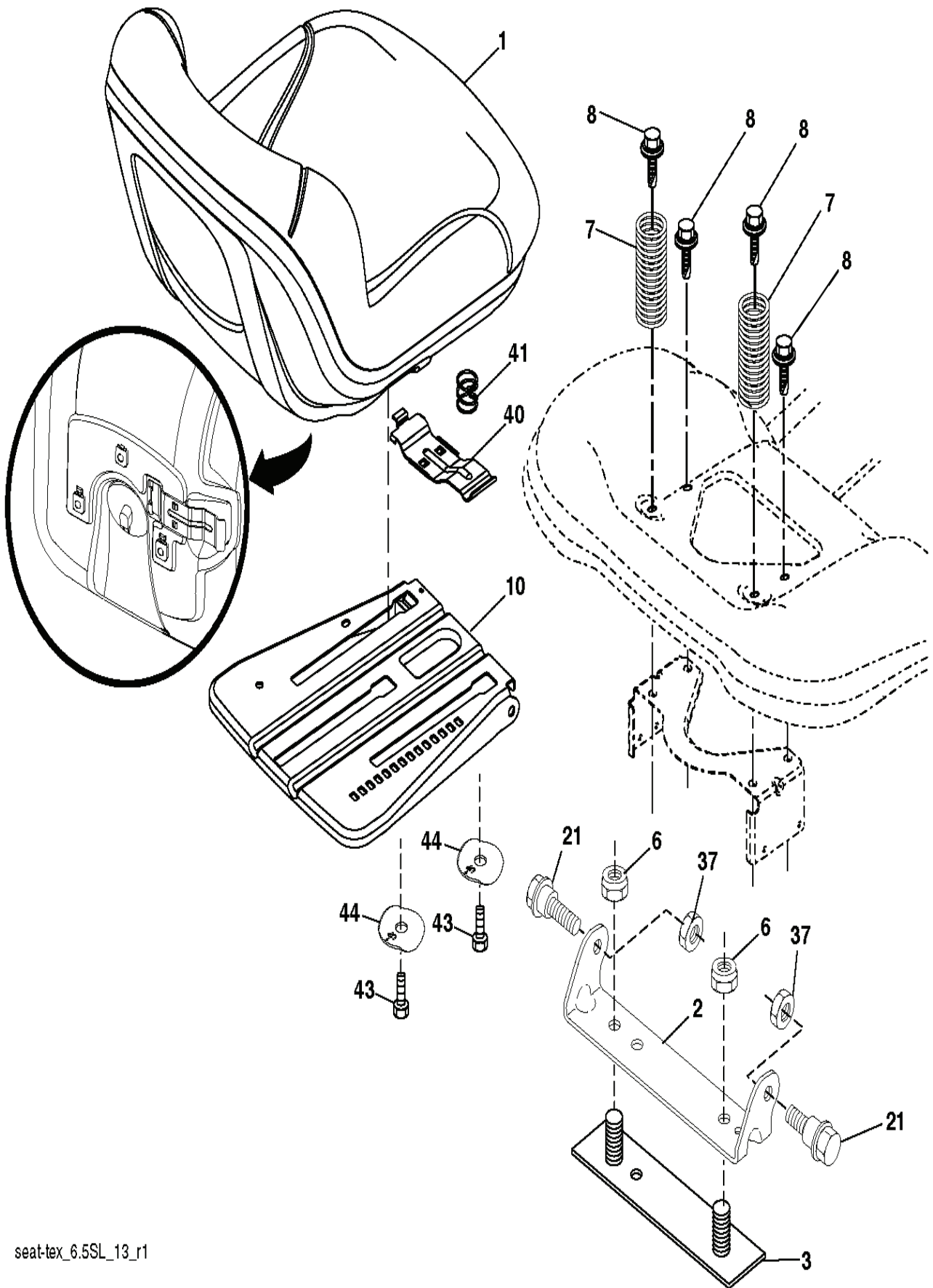


WIRING INSULATED CLIPS  
 NOTE: IF WIRING INSULATED CLIPS WERE REMOVED FOR SERVICING OF UNIT, THEY SHOULD BE RE-INSTALLED TO PROPERLY SECURE YOUR WIRING.





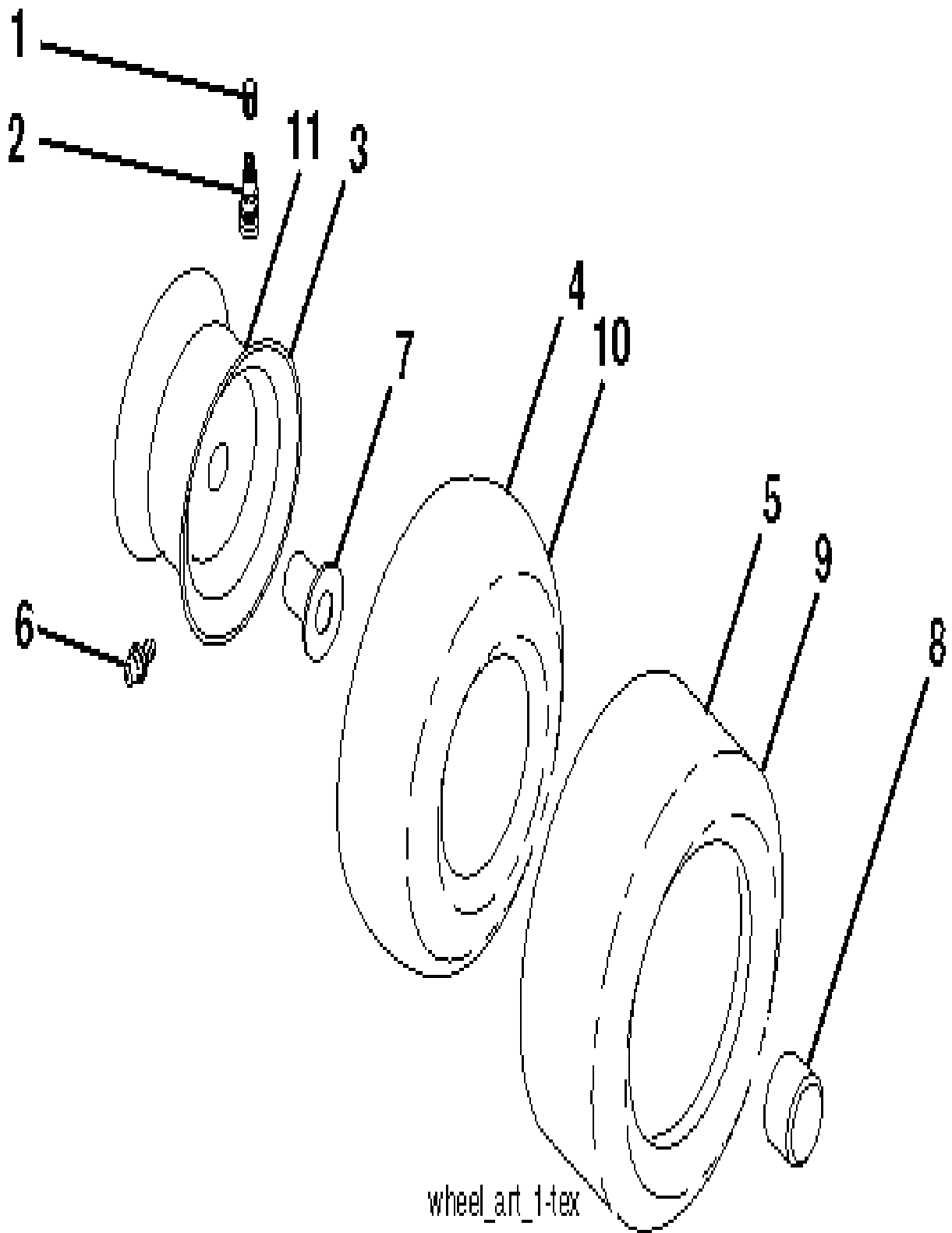




TRACTORS/RIDE MOWERS

---

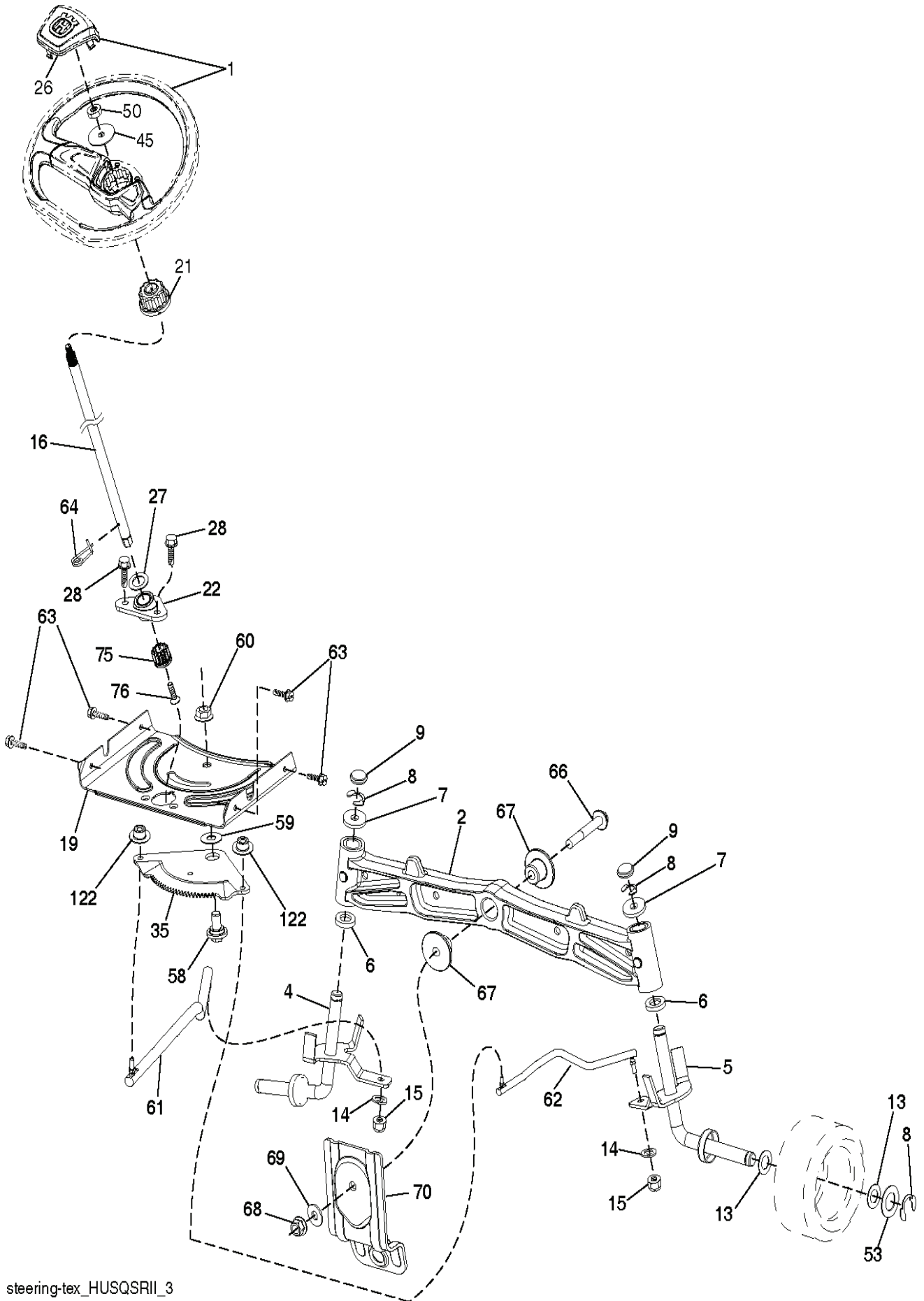
PXM_REF	PXM_PARTNO	DESCRIPTION	PXM_REMARK	QTY.
1	532439822	SEAT		1
2	532180166	BRACKET		1
3	532140675	STRAP		1
6	873800600	NUT		1
7	589483501	SPRING		1
8	532171877	BOLT		1
10	596657402	PLATE		1
21	587907801	BOLT		1
37	596583702	NUT		1
40	595088102	HANDLE		1
41	532198200	SPRING		1
43	874760612	BOLT		1
44	501051801	WASHER		1



TRACTORS/RIDE MOWERS

---

PXM_REF	PXM_PARTNO	DESCRIPTION	PXM_REMARK	QTY.
1	532059192	CAP VALVE		1
2	532065139	NIPPLE		1
3	532138336	RIM	Front 6"	1
4	532059904	HOSE	(Service Item Only)	1
5	532106222	TIRE	FRONT (15 X 6-6)	1
6	532000278	NIPPLE	(Front Wheel Only)	1
7	532009040	BEARING	(Front Wheel Only)	1
8	532175039	HUB CAP		1
9	532124635	TIRE	REAR (18 X 8.5-8)	1
10	532007152	TUBE	(Service Item Only)	1
11	532138337	RIM SPROCKET	Rear 8"	1
	532144334	SEALING FOAM		1



TRACTORS/RIDE MOWERS

PXM_REF	PXM_PARTNO	DESCRIPTION	PXM_REMARK	QTY.
1	597866101	SERVICE KIT		1
2	532195968	SHAFT		1
4	532403087	SPINDLE	LH	1
5	532403088	SPINDLE	RH	1
6	532006266	WASHER		1
7	532121748	WASHER		1
8	812000029	RETAINER RING		1
9	532121232	HUB CAP		1
13	532121749	WASHER		1
14	596238701	WASHER		1
15	873540600	NUT		1
16	587016002	SHAFT		1
19	532194729	PLATE		1
21	586840201	ADAPTER		1
22	585029802	BEARING		1
26	594949101	CAP		1
27	596933401	WASHER		1
28	817000612	SCREW		1
35	532194732	PLATE		1
45	587016401	WASHER		1
50	873900600	NUT		1
53	532188967	WASHER		1
58	532194747	BOLT		1
59	532194748	WASHER		1
60	873971000	NUT		1
61	597047802	LINKAGE	LH	1
62	597047902	LINKAGE	RH	1
63	817000512	SCREW		1
64	532199849	SPRING RETAINER		1
66	871020748	BOLT		1
67	532194737	BUSHING		1
68	873900700	NUT		1
69	532199162	WASHER		1
70	585338801	BRACKET		1
75	580683701	PINION		1
76	580683601	SCREW		1
122	532444962	CAP		1
	PXM_PARTNO		PXM_REMARK	